

INDUSTRIAL DIESEL ENGINE

**KUBOTA 03-M-SERIES (3-cylinder)**

# D1803-M-DI-E3B

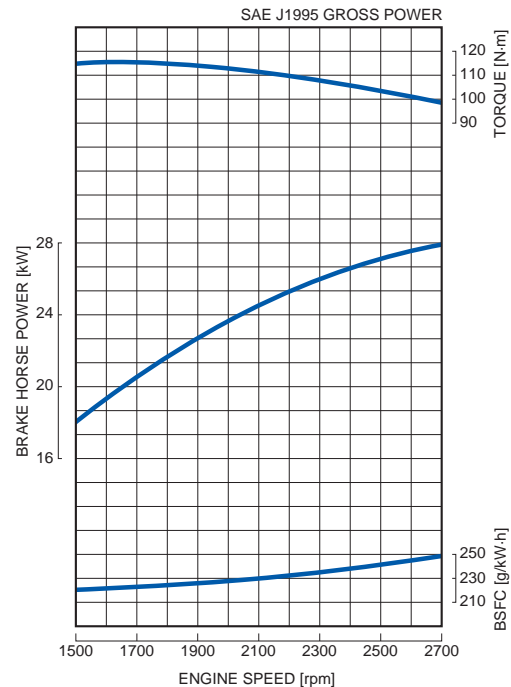


## RATED POWER

**27.9 kW/2700 rpm**



## PERFORMANCE CURVE



## FEATURES with BENEFITS

### Emissions

- The D1803-M-DI engine complies with EPA Interim Tier 4 emissions regulations that are effective through the end of 2012. This engine also complies with EU Stage 3A requirements that are effective through 2012 and beyond in the European market.

### Durable Power

- The Kubota 03-M-Series is well recognized for industrial applications. With numerous features such as a built-in solenoid, low fan position, and single side serviceability, this engine offers excellent performance characteristics and application flexibility.
- The cooling water passages between the cylinder bores, using Kubota's original casting technology as a countermeasure against heat load of high power density, provides both superior endurance and reliable engine characteristics.
- The D1803-M-DI engine offers a seamless transition from Tier 2 to Interim Tier 4 by maintaining the same footprint and hard mounting points with only slight performance changes from the Tier 2 engine.

### Clean and Quiet Power

- Fuel injection pressure was increased to achieve a 50% lower particulate matter (PM) level, the same stringent level as above the 37kW class (EPA Interim Tier 4).
- The half-float valve cover and MoS<sub>2</sub> coated pistons lower noise levels by 1.0-2.0 dBA over conventional diesel engines and provide reduced transmitted vibration from the valve area for better noise characteristics.

### Option

- The Kubota 03-M-Series engines offer side power take-off (PTO), in response to the trend of increasing hydraulic control devices in industrial machines. It is possible to install a hydraulic pump at two side PTO locations.
- An Indirect Injection engine is also available.

## GENERAL SPECIFICATION

Model		<b>D1803-M-DI-E3B</b>
Emission Regulation		Interim Tier 4 / Stage 3A
Type		Vertical 3-cycle Liquid Cooled Diesel
Number of Cylinders		3
Bore	mm (in)	87 (3.43)
Stroke	mm (in)	102.4 (4.03)
Displacement	L (cu.in)	1.826 (111.4)
Combustion System		Direct Injection
Intake System		Naturally Aspirated
Maximum Speed	rpm	2700
Output: SAE J1995 Gross Power	kW	27.9
	hp	37.4
	ps	37.9
Direction of Rotation		Counterclockwise Viewed on Flywheel
Oil Pan Capacity	L (gal)	7.0 (1.85)
Starter Capacity	V-kW	12-1.4
Alternator Capacity	V-A	12-40
Length	mm (in)	575.9 (22.7)
Width	mm (in)	499.0 (19.6)
Height (1)	mm (in)	684.0 (26.9)
Height (2)	mm (in)	265.5 (10.5)
Dry Weight	kg (lb)	151.0 (332.9)

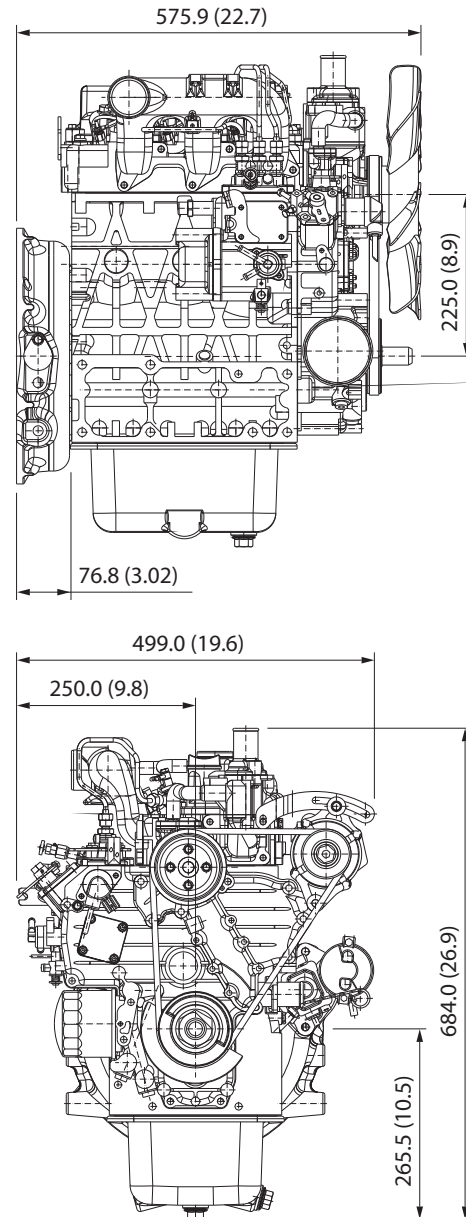
\*Specification is subject to change without notice.

\*Dry weight is according to Kubota's standard specification.

When specification varies, the weight will vary accordingly.

\*SAE J1995 Gross Power: 1-hour rating based on engine without cooling fan, air cleaner and muffler, with alternator.

## DIMENSIONS



**Kubota Corporation**

2-47, Shikitsuhigashi 1-chome, Naniwa-ku, Osaka, 556-8601 Japan  
 Fax: +81 (0) 6 6648 /35 21  
<http://www.engine.kubota.ne.jp>

**Kubota (Deutschland) GmbH**

Senefelder Str. 3-5

63110 Rodgau

Phone: +49 (0) 6106 / 873 - 113

Fax: +49 (0) 6106 / 873 - 196

eMail: [motoren@kubota.de](mailto:motoren@kubota.de)

homepage: [www.kubota.de](http://www.kubota.de)