

INDUSTRIAL DIESEL ENGINE

KUBOTA BG-SERIES (4-cylinder)

V2203-M-BG



RATED POWER

20.1 kW/1500 rpm



FEATURES with BENEFITS

Emissions

- The V2203-M-E3BG naturally aspirated engine (1500 rpm) complies with EU Stage 2 and US EPA Interim Tier 4 emissions. These are the most stringent emission regulations in the world in this class. The integrated electronic governor allows a highly precise engine speed control at a minimum noise level.

Super Glow System

- The Super Glow System, not necessary in temperatures above 5°C, comes as standard equipment to start the engine in cold temperatures. For example, at -20°C (-4°F), the engine will start only 10 seconds of preheating time.

E-TVCS (Three Vortex Combustion System) Cleaner Exhaust Engines

- Kubota's highly efficient E-TVCS System (Three Vortex Combustion System), located in a specially designed piston with a valve recess and a fanshaped concave, produces an ideal air/fuel mixture by creating three vortices in the combustion chamber. This results in better cross flow of air and exhaust gas, lower air intake temperature and improved combustion efficiency.

- One of Kubota's major commitments has always been the development of a cleaner exhaust engine. Kubota was the first engine manufacturer to pass the U.S. CARB ULGE emission regulations for engines under 19 kW. Kubota produced engines that have been certified, or are now currently in compliance with all emission regulations around the world.

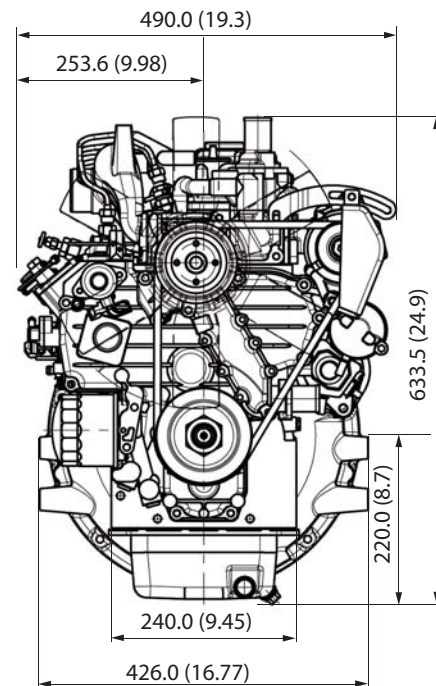
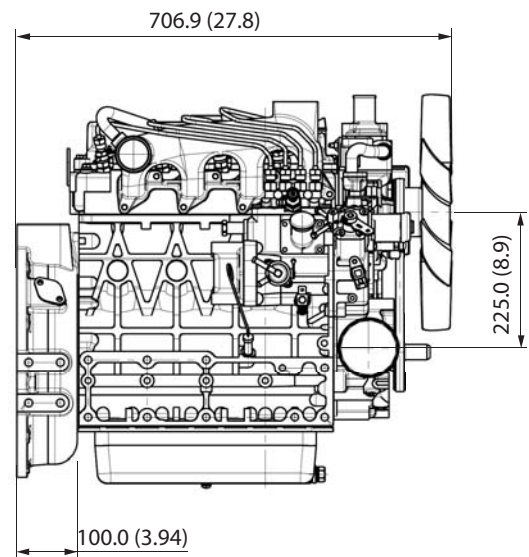
GENERAL SPECIFICATION

Model		V2203-M-E3BG
Emission Regulation		Interim Tier 4 / Stage 2
Type		Vertical 4-cycle Liquid Cooled Diesel
Number of Cylinders		4
Bore	mm (in)	87.0 (3.43)
Stroke	mm (in)	92.4 (3.64)
Displacement	L (cu.in)	2.197 (134.1)
Combustion System		Indirect Injection
Intake System		Naturally Aspirated
Maximum Speed	rpm	1500
Output: Stand-by ISO 3046 IC15N	kW	20.1
	hp	26.9
	ps	27.3
Output: Continuous ISO 3046 IC15N	kW	17.2
	hp	23.1
	ps	23.4
Direction of Rotation		Counterclockwise viewed on Flywheel
Oil Pan Capacity	L (gal)	7.6 (2.01)
Starter Capacity	V-kW	12-1.4
Alternator Capacity	V-A	12-40
Length	mm (in)	706.9 (27.8)
Width	mm (in)	490.0 (19.3)
Height (1)	mm (in)	633.5 (24.9)
Height (2)	mm (in)	220.0 (8.7)
Dry Weight	kg (lb)	200.0 (440.9)

*Specification is subject to change without notice.

*Dry weight is according to Kubota's standard specification.
When specification varies, the weight will vary accordingly.

DIMENSIONS



KDG/12.08/001



Kubota Corporation

2-47, Shikitsuhigashi 1-chome, Naniwa-ku, Osaka, 556-8601 Japan
Fax: +81 (0) 6 6648 /35 21
<http://www.engine.kubota.ne.jp>

Kubota (Deutschland) GmbH

Senefelder Str. 3-5
63110 Rodgau

Phone: +49 (0) 6106 / 873 - 113

Fax: +49 (0) 6106 / 873 - 196

eMail: motoren@kubota.de

homepage: www.kubota-motoren.de