

## RATED POWER

35.3 kW/1500 rpm



## FEATURES with BENEFITS

### Emissions

- The V3300-T-E2BG engine (1500 rpm) complies with EU Stage 2 emissions legislation. The special governor in combination with a highly rigid crank-case combines best performance at a minimum noise level.

### High capacity governor

- By incorporating a high capacity flyweight governor with a large size flywheel, Kubota can control the governor regulation within 5%.

### E-TVCS (Three Vortex Combustion System) Cleaner Exhaust Engines

- Kubota's highly efficient E-TVCS System (Three Vortex Combustion System), located in a specially designed piston with a valve recess and a fanshaped concave, produces an ideal air/fuel mixture by creating three vortices in the combustion chamber. This results in better cross flow of air and exhaust gas, lower air intake temperature and improved combustion efficiency.

- One of Kubota's major commitments has always been the development of a cleaner exhaust engine. Kubota was the first engine manufacturer to pass the U.S. CARB ULGE emission regulations for engines under 19 kW. Kubota produced engines that have been certified, or are now currently in compliance with all emission regulations around the world.

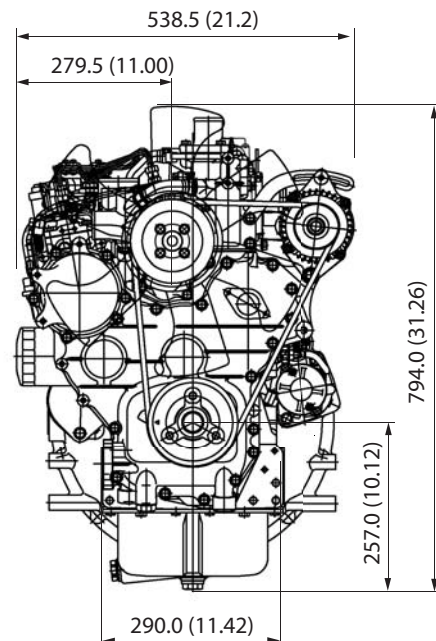
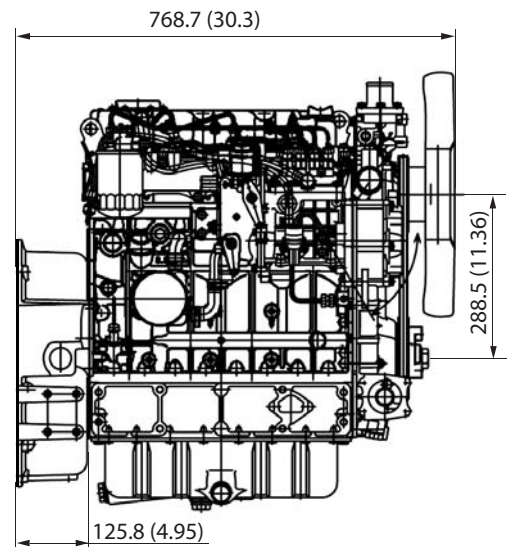
## GENERAL SPECIFICATION

Model		<b>V3300-T-E2BG</b>
Emission Regulation		EU Stage 2
Type		Vertical 4-cycle Liquid Cooled Diesel
Number of Cylinders		4
Bore	mm (in)	98.0 (3.86)
Stroke	mm (in)	120.0 (4.72)
Displacement	L (cu.in)	3.620 (220.9)
Combustion System		Indirect Injection
Intake System		Turbocharged
Maximum Speed	rpm	1500
Output: Stand-by ISO 3046 IC15N	kW	35.3
	hp	47.3
	ps	48.0
Output: Continuous ISO 3046 IC15N	kW	32.1
	hp	43.0
	ps	43.6
Direction of Rotation		Counterclockwise viewed from Flywheel
Oil Pan Capacity	L (gal)	13.2 (3.49)
Starter Capacity	V-kW	12-3.0
Alternator Capacity	V-A	12-45
Length	mm (in)	768.7 (30.3)
Width	mm (in)	538.5 (21.2)
Height (1)	mm (in)	794.0 (31.26)
Height (2)	mm (in)	257.0 (10.12)
Dry Weight	kg (lb)	284.0 (626.1)

\*Specification is subject to change without notice.

\*Dry weight is according to Kubota's standard specification.  
When specification varies, the weight will vary accordingly.

## DIMENSIONS



**Kubota Corporation**

2-47, Shikitsuhigashi 1-chome, Naniwa-ku, Osaka, 556-8601 Japan  
Fax: +81 (0) 6 6648 /35 21  
<http://www.engine.kubota.ne.jp>

**Kubota (Deutschland) GmbH**

Senefelder Str. 3-5  
63110 Rodgau

Phone: +49 (0) 6106 / 873 - 113  
Fax: +49 (0) 6106 / 873 - 196  
eMail: [motoren@kubota.de](mailto:motoren@kubota.de)  
homepage: [www.kubota-motoren.de](http://www.kubota-motoren.de)